

## RMB EXPERIMENTAL PROGRAM ON THE HYDRODYNAMICAL BEHAVIOR OF FUEL ASSEMBLIES

**Walmir Maximo Torres<sup>1</sup>, Pedro Ernesto Umbehaun<sup>1</sup>  
Miguel Mattar Neto<sup>1</sup> Antonio Belchior Junior<sup>1</sup>  
and Roberto Longo Freitas<sup>2</sup>**

<sup>1</sup>Instituto de Pesquisas Energéticas e Nucleares (IPEN/CNEN - SP)  
Av. Professor Lineu Prestes 2242  
05508-000 São Paulo, SP, Brazil  
[wmtorres@ipen.br](mailto:wmtorres@ipen.br)  
[umbehaun@ipen.br](mailto:umbehaun@ipen.br)  
[mmattar@ipen.br](mailto:mmattar@ipen.br)  
[abelchior@ipen.br](mailto:abelchior@ipen.br)

<sup>2</sup>Centro de Coordenação RMB – RMB/CNEN  
Av. Professor Lineu Prestes 2242  
05508-000 São Paulo, SP, Brazil  
[roberto.freitas@ipen.br](mailto:roberto.freitas@ipen.br)

### ABSTRACT

The Brazilian Multipurpose Reactor - RMB is a 30 MW pool type research reactor, that uses Materials Testing Reactor - MTR type fuel assemblies. It has a 5x5 square array core with 23 fuel assemblies and two in-core irradiation positions, operating with upward flow and average velocities nearly 10 m/s in the fuel plates channels. The IEA-R1 is a 5 MW pool type research reactor, which also has a 5x5 square array core with 19 standard fuel assemblies, four control fuel assemblies and a central beryllium irradiation device. It operates with downward flow nearly 1.8 m/s in the channels.

In order to verify and provide data and information about the dynamical behavior of fuel assemblies under nominal and critical conditions, the experimental circuit ORQUÍDEA is being designed. This information will be very important for the licensing process of the fuel assembly before its use in the reactor core. This circuit will permits upward and downward flow and dynamical behavior of the fuel assemblies and its parts will be tested and verified. Flow rate, temperature, pressure and differential pressure transducers are the instruments of the circuit. Endurance and critical flow velocity tests will be performed. Dummy fuel assemblies will be used in the tests. It will be instrumented with pressure, strain-gages and flow velocity instruments.

The COLIBRI experimental circuit is being designed to make tests that allow the studies of the fluid-structure phenomenology of fuel plates similar to those of the RMB fuel assemblies when subjected to high flow velocities, which can induce pressure differences between the channels formed by the fuel plates. Preliminary structural response studies of the plate's behavior were performed using a Finite Element Analysis model generated by ANSYS Mechanical. The pressure loadings caused by the fluid flow were calculated using a Computational Fluid Dynamics model created with ANSYS CFX. The fluid-structure interactions will be verified for different channel configurations. In this circuit, vibrations and collapse of the dummy fuel

plates will be tested. Experimental data will be compared with CFD (Computational Fluid Dynamics) calculations.

This work presents a preliminary design for the ORQUÍDEA and COLIBRI experimental circuits to be built at the Instituto de Pesquisas Energéticas e Nucleares - IPEN of the Comissão Nacional de Energia Nuclear - CNEN.

## 1. INTRODUCTION

The main objective of this paper is to present the ORQUÍDEA and COLIBRI experimental circuit projects to be built at IPEN/CNEN.

The ORQUÍDEA experimental circuit is being designed to perform hydrodynamic tests, in low pressure and temperature, of fuel assemblies (FAs) of the type (MTR) of research reactors. The tests are important to study the behavior of the FAs under normal operating conditions, and can evaluate their behavior and performance through endurance tests and under extreme conditions, such as critical flow velocity.

The COLIBRI experimental circuit is being designed to carry out experiments that allow the studies of the deformation/vibration phenomenology of plates similar to those of the RMB fuel assemblies. Fuel assemblies subject to high flow rates may induce pressure differences between the flow channels formed by the fuel plates.

The tests are important to study the phenomenological analysis of the behavior of the RMB fuel assemblies under normal operating conditions, and can evaluate their behavior and performance through endurance tests and under extreme conditions, such as critical flow velocity and the influence of flow induced vibration on the fuel plates. For this extreme condition, which must be avoided during the operation of the reactor, plastic deformations of the fuel plates can occur, reducing the flow area and the cooling conditions in the channel, which can cause overheating and damage to the plates with release of radioactive material.

These tests are necessary to obtain the qualification of the FAs that will be used in the Brazilian Multipurpose Reactor (RMB).

## 2. ORQUÍDEA EXPERIMENTAL CIRCUIT

The ORQUÍDEA experimental circuit, as shown in Figure 1, is being designed to perform hydrodynamic tests, at low pressure and temperature, of the "Material Testing Reactor (MTR)" fuel assemblies (FAs) of the RMB and IEA-R1.

The ORQUÍDEA experimental circuit will use equipment and components of the IPEN/CNEN Experimental Water Circuit, also known as LOOP 70 [1]. Part of its process instrumentation will be utilized, such as pressure and differential pressure transmitters, and temperature transmitters and meters, as well as the LOOP 70 metallic structure for fixing and mounting the circuit.

The Experimental Water Circuit (Circuito Experimental de Água - CEA) or LOOP 70 [1] is an experimental circuit designed to operate at high pressure and temperature. It was designed and built to conduct thermal-hydraulic experiments simulating the conditions of operation of reactors to pressurized light water of the PWR and BWR types. The LOOP 70 is installed in the IPEN/CNEN Nuclear Engineering Center shed and consists of a main circuit with a testing section, water purification systems, storage and deaeration tank, pressurizer, preheater, heater, and secondary cooling system. In addition, there are electric power supply, control system, instrumentation and safety systems. The Storage Tank/Deaerator (V-101) and the Pressurizer

(V-102) will be used to compose the ORQUÍDEA experimental circuit. A detailed mechanical evaluation was done for the Storage Tank/Deaerator [2] and for the Pressurizer [3] through the structural analysis of the internal and external mechanical parts thereof, applying the original design code ASME VIII Division 1 [4].

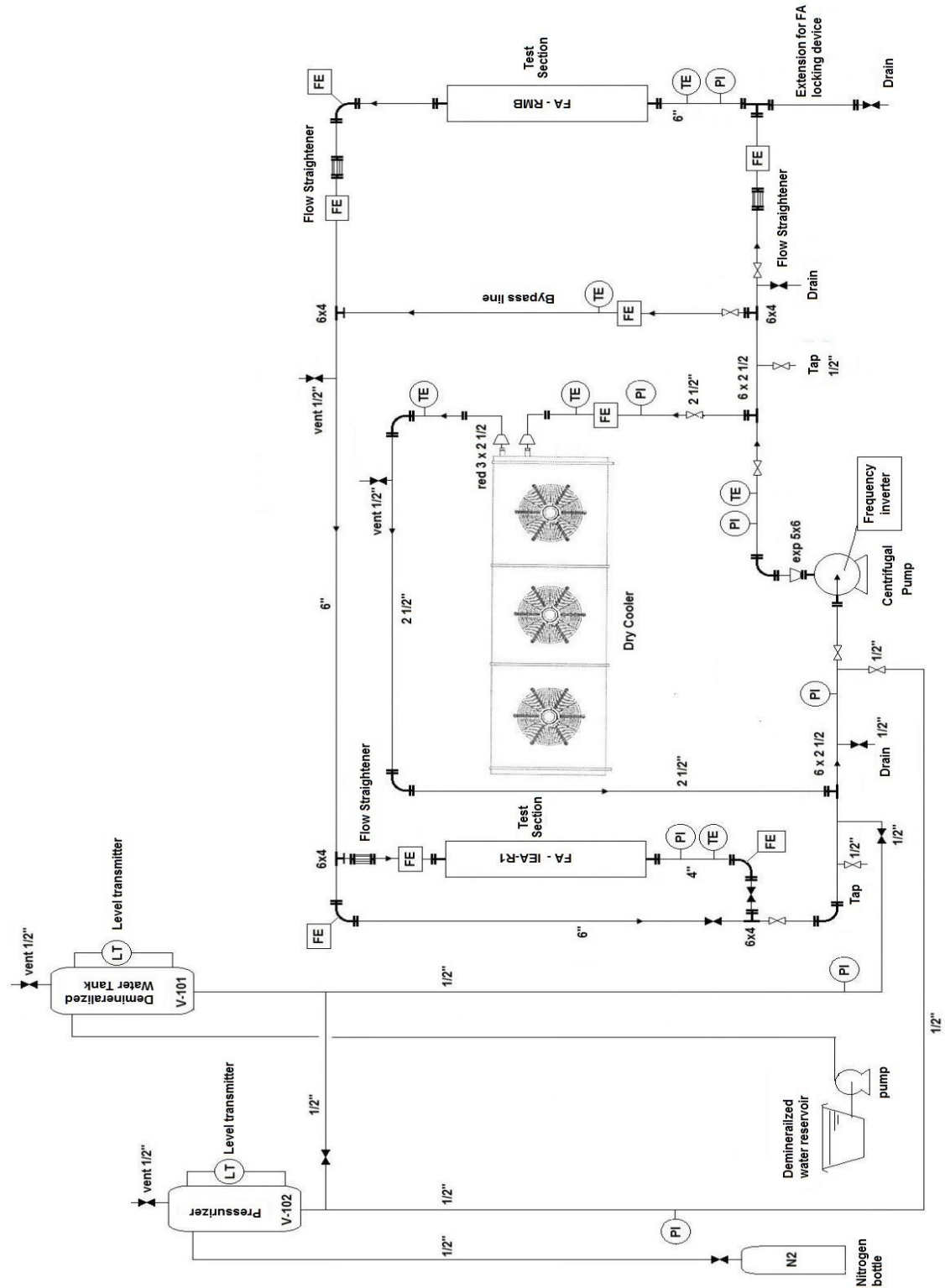


Figure 1. Schematic drawing of the ORQUÍDEA experimental circuit.

With the use of these items, it is expected to achieve a significant reduction in costs, in addition to reducing the time required for its construction. The equipment and components of the LOOP 70 must be disconnected from it and connected to the ORQUÍDEA. The reversal of this change should be simple in order to maintain the original characteristics of the LOOP 70. The ORQUÍDEA should have electrical power and independent data acquisition systems, so that it can be operated in a simple and totally independent manner and with reduced number of operators. Calculations on the operating conditions of the equipment and components and their feasibility for use in the ORQUÍDEA are presented in reference [5].

## 2.1. Bases of Design

The ORQUÍDEA should be designed to meet the following bases of project:

1. Provide flow rates of up to 265 m<sup>3</sup>/h. The head of the pump will be determined after calculations of pressure drop in the circuit (12 bar - preliminary value). The motor pump assembly shall be provided with a frequency inverter to control the rotation and consequently of the flow rate in the circuit, besides reducing the energy consumption;
2. The circuit also has a bypass line to aid in flow rate control in the tests;
3. The process fluid temperature of the operating circuit must be in the range between 40 and 60 °C;
4. Stainless steel 304 tubes shall be designed in accordance with ASME B31.1 with 6 and 4 inches Schedule 40 diameters. Circuit should have drains in lower parts and vents in the upper parts. Valves are provided along the circuit to assist in its operation;
5. The circuit uses demineralized water as the process fluid. It will be produced by the demineralized water production system of the IPEN/MB-01 reactor and will feed the storage tank / deaerator;
6. The circuit has a pressurizer, which will be pressurized with gas (Nitrogen), connected in the line suction pump to accommodate the fluid density circuit variations due to temperature;
7. The circuit has a secondary cooling system for the removal of heat generated by the pumping process. A heat exchanger type liquid to air (Dry Cooler) should be used;
8. The circuit will have one or more test sections depending on the test being performed with the FAs. A line must be provided for the installation of a section of tests for experiments with FAs that operate with downward flow (Ex: FAs from the IEA-R1 reactor). The instrumentation of the test sections should be specific to for each type of FAs test;
9. The circuit is designed to allow assembly and disassembly of simplified, as well as its operation. The piping must be designed in spools. When necessary, there must be connections for the installation of the instrumentation. Extra connections must be provided along the circuit to enable installation of additional instrumentation;
10. The circuit has flow meters with flow straighteners, pressure and differential pressure, temperature gauges, and level gauges;
11. The power supply of the circuit will be independent; and
12. Two independent data acquisition systems shall be used to record the process variables of the circuit and to record the parameters of the tests with the FAs.

## 2.2. System Operation

In the experimental circuit ORQUÍDEA will tested FAs of the MTR type of research reactors. In these tests, the water flow rate is the main parameter, it being desirable that the temperature of the process fluid is maintained constant. Pressure drop versus flow rates should be obtained for FAs as a whole, or parts thereof (for example: inlet nozzles, fuel plate region, output region, clamping mechanism, and etc.). The behavior of the plates also depends on the flow through the FAs. In addition, it is of interest to verify the critical flow velocity for the FAs, which for the MTR type of the RMB should be between 15 and 20 m/s (200 and 265 m<sup>3</sup>/h). Endurance testing should be carried out with the operating flow of 125 m<sup>3</sup>/h, which results in an average velocity in the channels of 9.4 m/s. In this way, the flow rate will be treated as a parameter that can vary within a range of values, depending on the test to be accomplished. The circuit has a motor-pump assembly, capable of 265 m<sup>3</sup>/h and 12 bar of head (value to be confirmed), equipped with a frequency inverter for control and flow variation. In addition, there is a by-pass line to adjusting the flow through the test sections.

## 2.3. Fuel Assemblies in the Experimental Circuit ORQUÍDEA

### 2.3.1 RMB Fuel Assemblies

Due to the presence of radioactive materials, the tests will be carried out with a prototype of the RMB fuel assembly, which will be made in aluminum by the IPEN Nuclear Fuel Center. Figure 2 shows a side view schematic of the RMB fuel assembly and Table 1 presents its main characteristics.

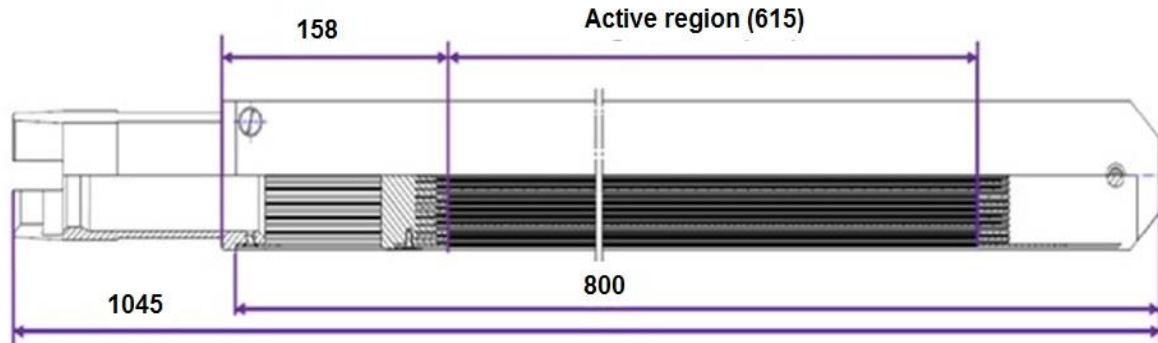


Figure 2. - Side view of the RMB fuel assembly.

**Table 1 - Characteristics of RMB fuel assembly.**

Assembly Type Fuel	MTR – core $U_3Si_2$	
Dispersion (fissile compound - matrix)	$U_3Si_2$ - Al	
$^{235}U$ average enrichment	19.75 (% by weight)	
Maximum density of uranium in the core	4.8 gU/cm <sup>3</sup>	
Dimensions (mm) (side x side x height)	80.5 x 80.5 x 1045	
Geometry of the fuel plate	Flat plate	
Arrangement of plates	Parallel	
Number of plates	21	
Dimensions of fuel plates (thickness x width x length)	Internal Plate (mm)	External Plate (mm)
	1.35 x 75 x 655	1.50 x 75 x 825
Active length	615 mm	615 mm
Coating Material	Al 6061 T0	
Coating thickness near the core	Internal Plate (mm)	External Plate (mm)
	0.370	0.445
Core dimensions (mm) (thickness x width x length)	0.61 x 65 x 615	
Distance between centers of fuel plates	3.8 (mm)	
Thickness x width of the cooling channel (mm)	2.45 x 70	
Lateral support material	Al 6061 T6	
Dimensions of side support plate (mm) (thickness x width x length)	5.0 x 80.5 x 890	
Fuel plate grooves on side support plate (width x depth)	Internal Plate (mm)	External Plate (mm)
	1.45 x 2.5	1.60 x 2.5
Burnable poison material (wires)	Cádmio	
Slot dimensions for Cd wires (mm)	0.508 x 0.408	
Wire dimensions (diameter x length) (mm)	0.4 x 492 (centered in relation to the active length)	
Number of Cd strings in FA	42 (21 wires in each side bracket)	

### 2.3.2 IEA-R1 Fuel assemblies

Similarly, the prototype of the fuel assembly of the IEA-R1, without fissile material, will be made in aluminium by the IPEN Nuclear Fuel Center. Figure 3 shows a schematic side view of the fuel assembly of the IEA-R1 and Table 2 shows its main characteristics.

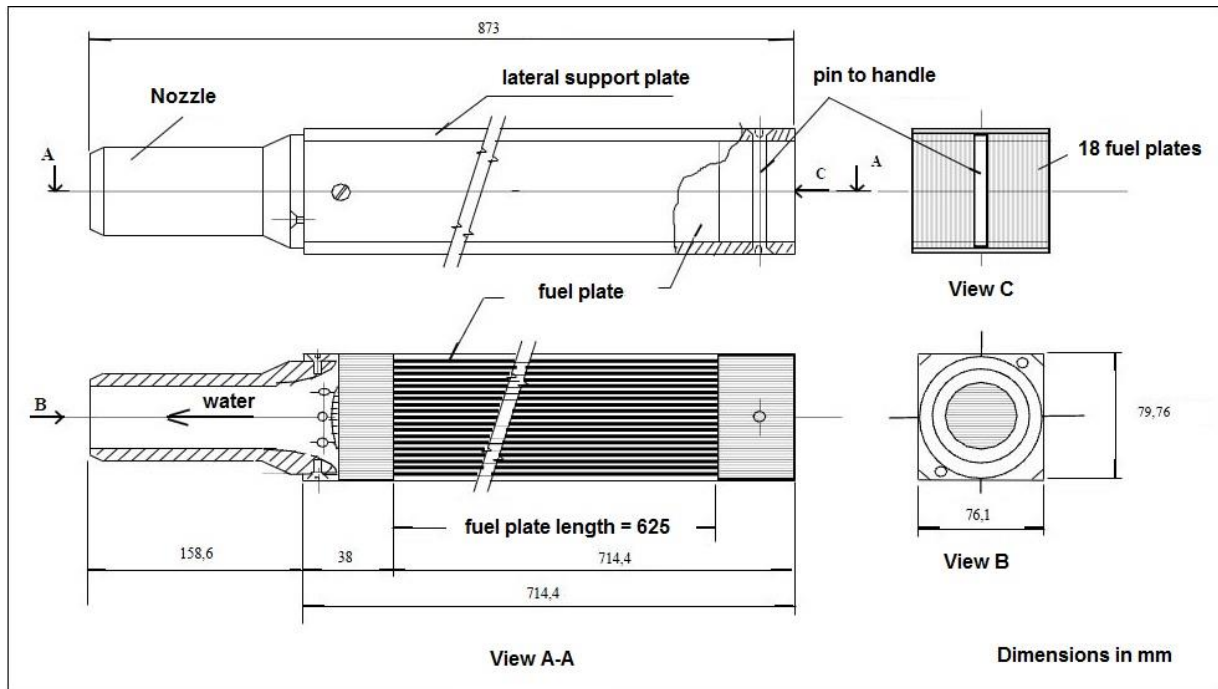


Figure 3 - Side view of the IEA-R1 fuel assembly.

### 2.3.3 MTR-type FA tests

The operation of the circuit, when it is in tests with RMB MTR type FAs (upflow), depends on the type of test to be performed. If the tests are designed to obtain pressure drop curves as a function of the flow of the FA as a whole or of its parts, the circuit should have its flow adjusted to values within a range of 50 to 150 m<sup>3</sup>/h, with steps of 10 or 20 m<sup>3</sup>/h, for example. The flow rate will be adjusted using the frequency inverter that changes the pump speed, assisted by the bypass line if necessary. A portion of 30 m<sup>3</sup>/h is diverted in the discharge line of the pump and passes through the heat exchanger to remove the heat generated by the pumping process. This heat is dissipated into the atmosphere as hot air.

In the tests for the verification of the behavior in normal operation or resistance, the flow through the FA must be kept constant and equal to the nominal operating flow, that is, 125 m<sup>3</sup>/h. Removal of the heat generated by the pumping is similar to that mentioned above, as is the bypass flow through the heat exchanger.

The tests to verify the critical flow velocity will be carried out with higher flow rates, such that flow velocities in the flow channels are between 15 and 20 m/s, corresponding to 200 and 250 m<sup>3</sup>/h respectively.

For tests with IEA-R1 MTR-type FAs, the downflow test section shall be used. In this case, the maximum flow rate will be of the order of 30 m<sup>3</sup>/h. Steps of 5 m<sup>3</sup>/h can be used to obtain pressure loss versus flow curves.

**Table 2 - Characteristics of IEA-R1 fuel assemblies.**

<b>NUCLEAR FUEL TYPE</b>	
Chemical composition	U <sub>3</sub> Si <sub>2</sub>
<b>FUEL MATERIALS</b>	
Country of origin	Brasil
Fuel shape	Dispersion In Al
Uranium content (gU/cm <sup>3</sup> )	3.0
Mass fraction of uranium (%)	56.61
Enrichment	19.75
<b>FUEL PLATE</b>	
Mass of uranium (g)	78.71
Mass of <sup>235</sup> U (g)	15.54
Active width (mm)	60.35
Active length (mm)	590
Coating material	ASTM 1060
Coating thickness	0.38
Core thickness	0.76
<b>FUEL ASSEMBLY</b>	
Number of fuel plates	18
Total mass of uranium (g)	1416.78
Total mass of <sup>235</sup> U (g)	279.72
Cooling channel thickness (mm)	2.89
Cooling channel width (mm)	66.90
Hydraulic cooling channel diameter (mm)	5.54
Support plate material	ASTM 6262 T6
Nozzle material	ASTM 6262 T6
Mean gap between assemblies (mm)	1
Mass of one assembly (Kg)	5.9
<b>CORE</b>	
Total number of Standard FAs and Control FAs	21 and 4



### 3. COLIBRI EXPERIMENTAL CIRCUIT

The experimental circuit COLIBRI as shown in Figure 4, aims to perform experiments that allow the study of the deformation/vibration phenomenology of plates similar to those of RMB fuel assemblies when subjected to velocities that may induce pressure differences in the channels of flow between the fuel plates.

The COLIBRI has as main objective to provide experimental data of the fields of velocity, pressure and temperature between the fuel assemblies of RMB in order to validate the numerical procedures related to CFD (Computational Fluid Dynamics) codes under and accidental conditions [6] and [7].

This circuit is currently in the elaboration phase of the detailed project, aiming to specify the purchase of materials, equipment and instrumentation. The assembly, installation and commissioning of the COLIBRI experimental circuit will be carried out by IPEN/CEN technicians.

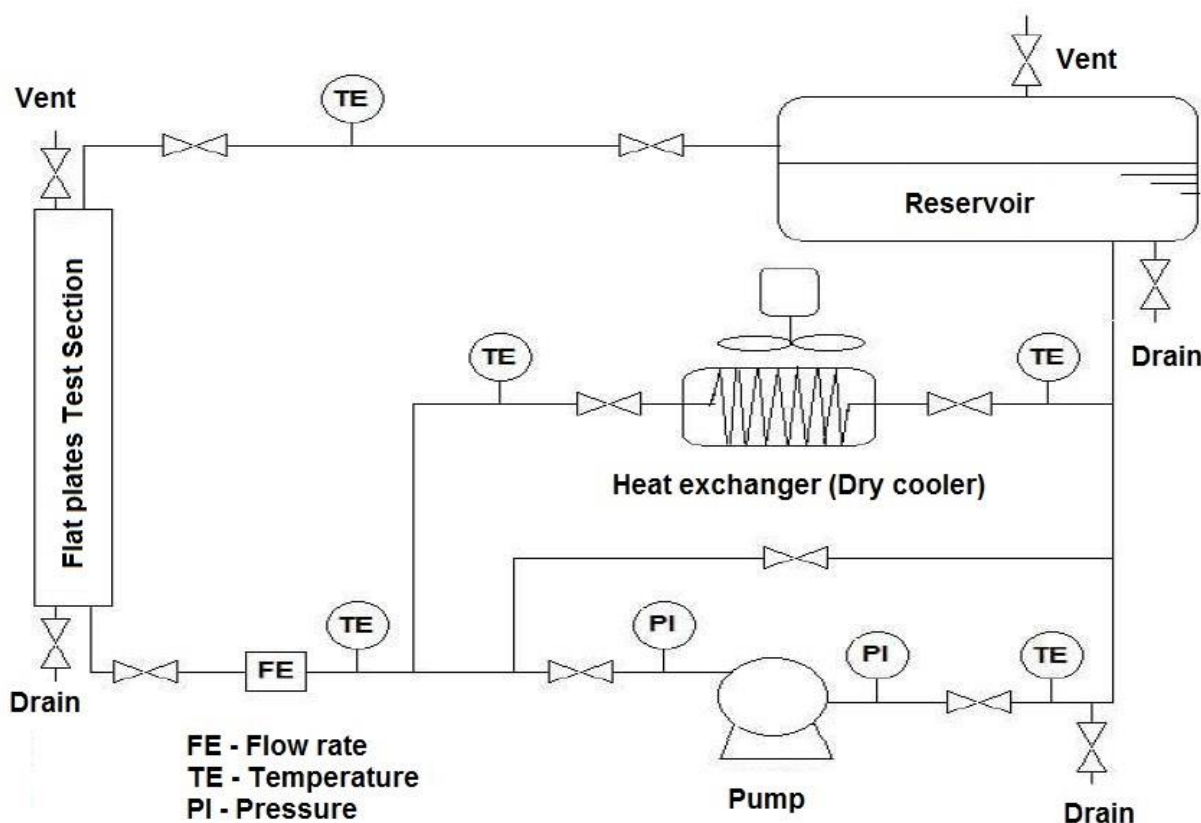


Figure 4 - Schematic drawing of the COLIBRI experimental circuit.

### 4. CONCLUSION

The purpose of this document is to describe the main thermohydraulic circuits ORQUÍDEA and COLIBRI that must be implemented in the Brazilian Multipurpose Reactor Project (RMB). This Experimental Program will serve as support for the validation of the Final Safety Analysis Report - FSAR with CNEN when licensing the RMB project.

## ACKNOWLEDGMENTS

The authors would like to thank Dr. José Augusto Perrotta, RMB Technical Coordinator, for the encouragement and support in the definition of the Experimental Program of the Brazilian Multipurpose Reactor.

## REFERENCES

1. Descrição do Circuito Experimental do IPEN - Relatório. IPEN Internal Report. 1981/1982.
2. FAINER, G.; FALOPPA, A. A.; ALMEIDA, J. T. D. **Circuito Orquídea: Avaliação Estrutural do Tanque de Armazenamento/Desaerador V-101**. IPEN Internal Report. 05/07/2018.
3. FAINER, G.; FALOPPA, A. A.; ALMEIDA, J. T. D. **Circuito Orquídea: Avaliação Estrutural do Pressurizador V-102**. IPEN Internal Report. 05/07/2018.
4. ASME Boiler and Pressure Vessel Code, Section VIII, Division 1, "Rules for Construction of Pressure Vessels". [S.l.]: The American Society of Mechanical Engineers, 2007.
5. FREITAS, R. L. **Circuito Experimental ORQUÍDEA para Testes de Elementos Combustíveis**. IPEN Internal Report. 03/05/2018.
6. J. G. MANTECÓN E M. M. NETO. Numerical methodology for fluid-structure interaction analysis of nuclear fuel plates under axial flow conditions. **Nuclear Engineering and Design**, p. 76-86, 2018.
7. MANTECÓN, J. G.; NETO, M. M. Numerical Analysis on Stability of Nuclear Fuel Plates with Inlet. **Nuclear engineering and Design**, p. 240-248, 2019.